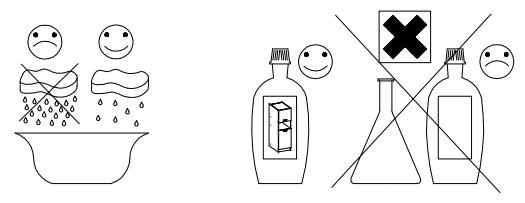
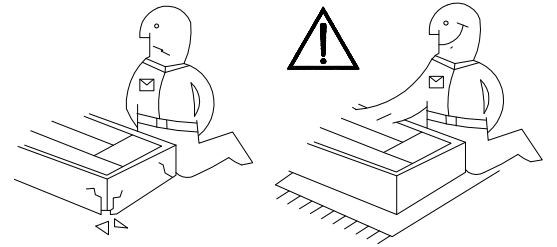


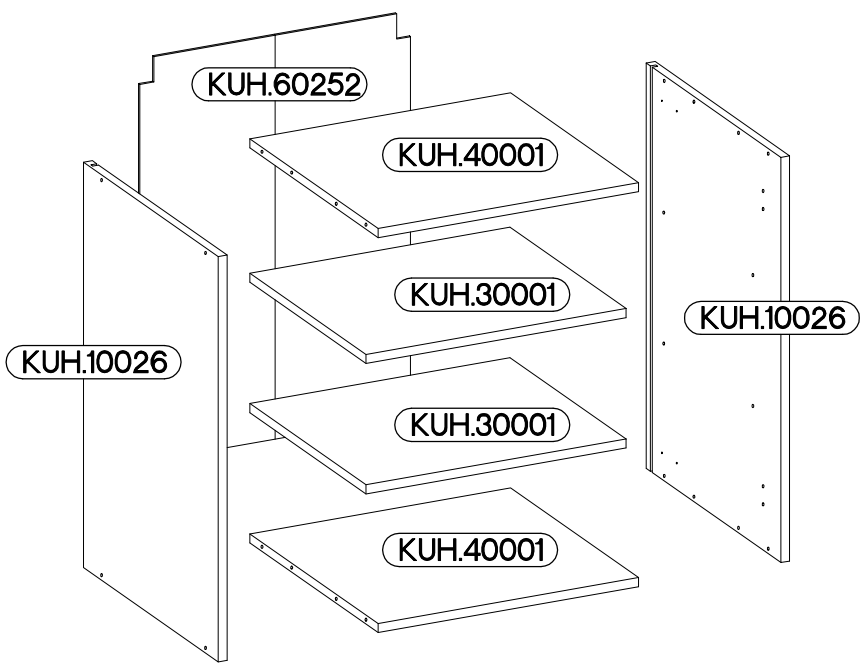
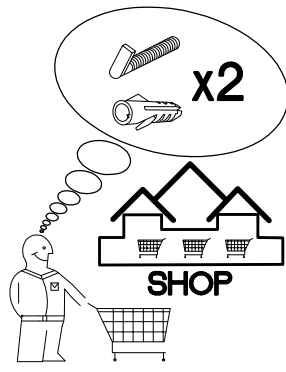
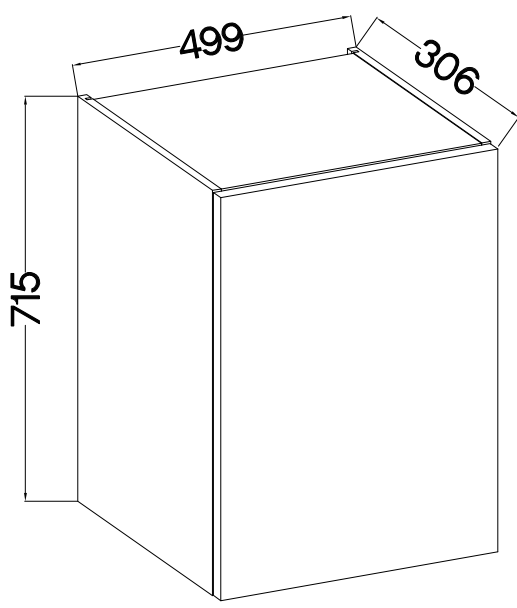
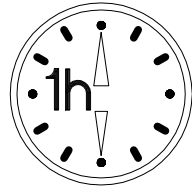
Ø10mm

50 G-72 1F

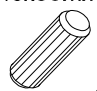



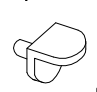
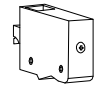
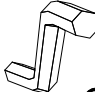





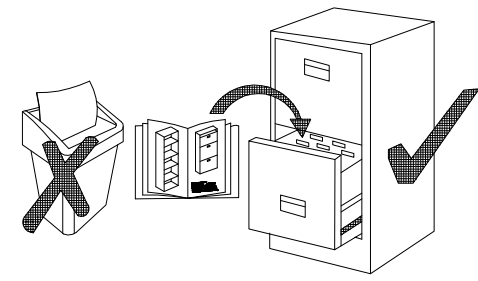
max.
5kg

KUH.30001
KUH.40001

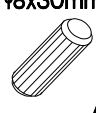

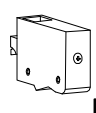


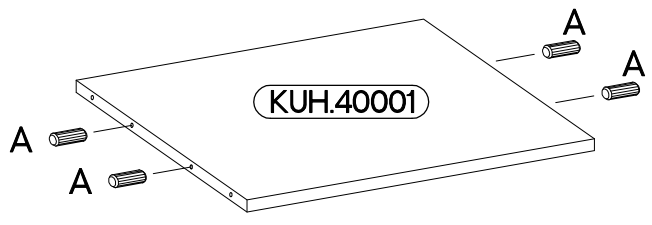
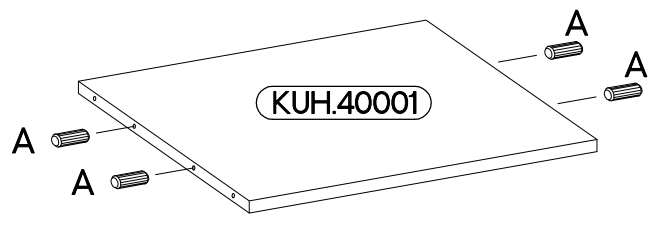
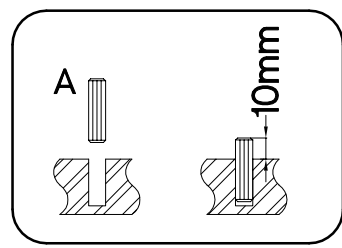
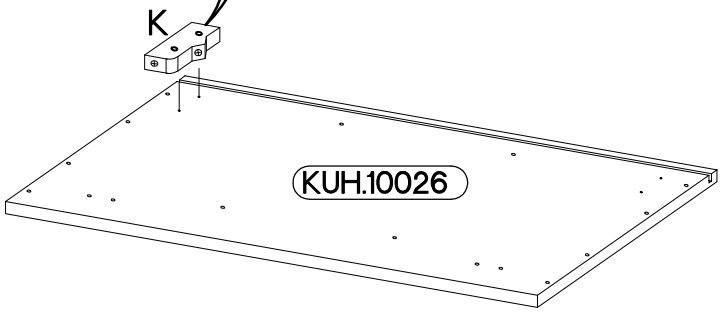
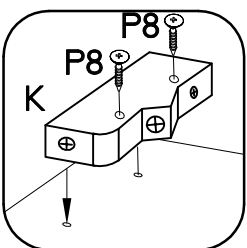
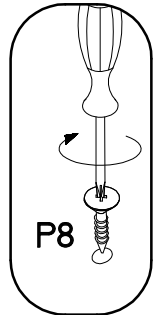
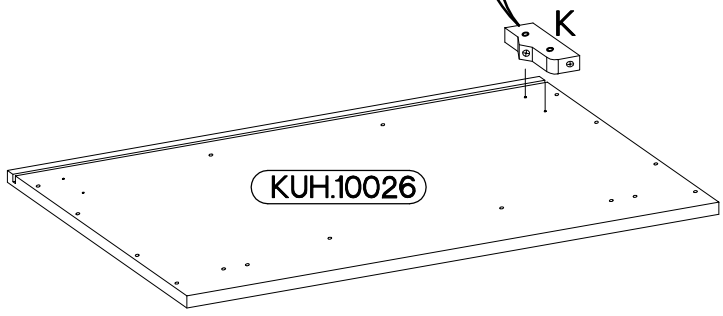
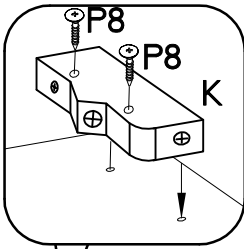
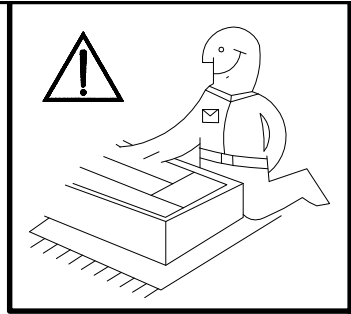
| Ersatzteil Nummer | Dimension |
|-------------------|-------------|
| KUH.10026 x2 | 715x290x16 |
| KUH.30001 x2 | 466x250x16 |
| KUH.40001 x2 | 467x276x16 |
| KUH.60252 | 713x485x2,5 |

| | | | | | |
|---|--|---|---|---|---|
|  A |  B |  E1 |  HG | | |
| 8 | 8 | 8 | 2 | | |
|  J |  K |  O |  P5 |  P7 |  P8 |
| 8 | 2 | 1 | 4 | 8-10 | 4 |

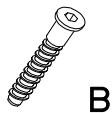
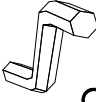



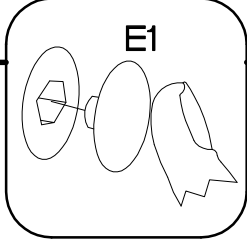
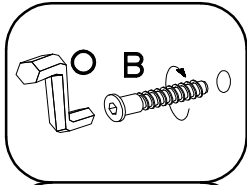
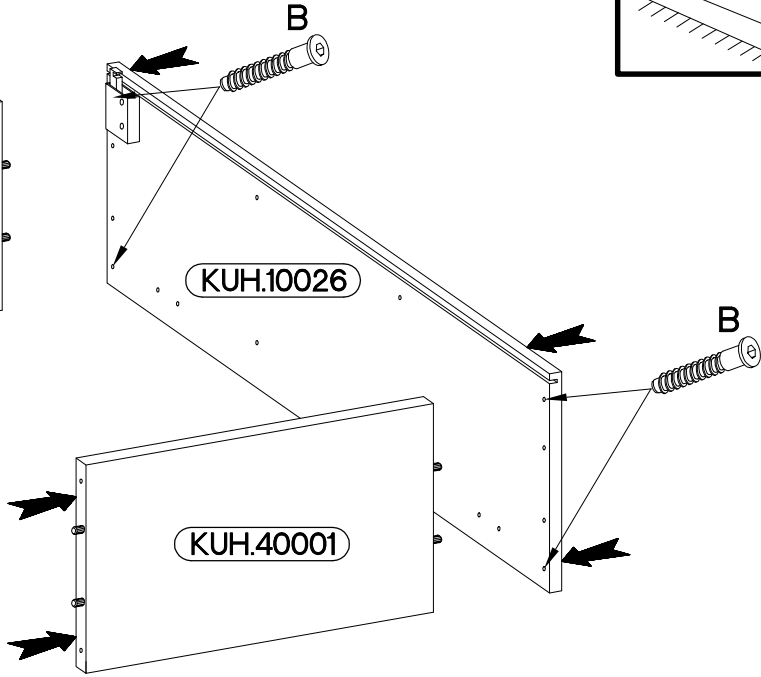
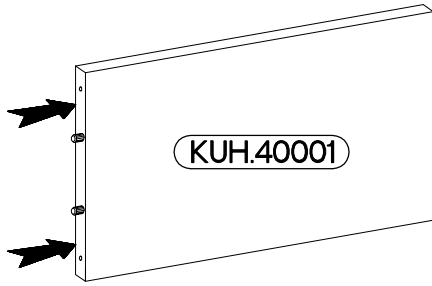
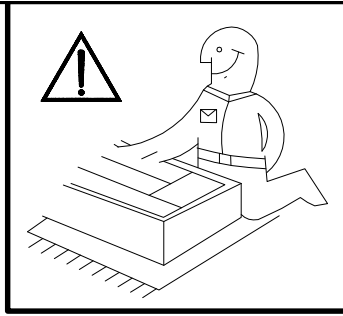
ISM-KUH-01137

| | | |
|--|---|---|
|  +8x30mm A |  +4.0x30mm P8 |  K |
| 8 | 4 | 2 |

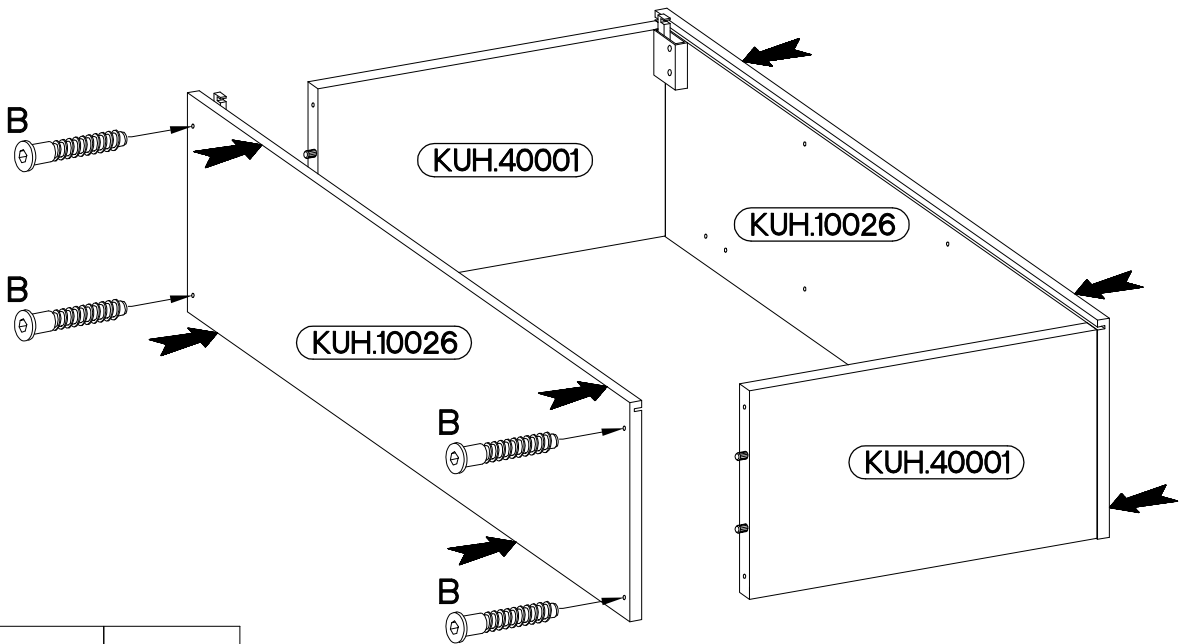


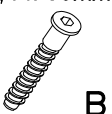
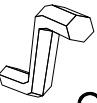

2

| | | |
|--|--|--|
| 6,4 x 50mm | | |
|  |  |  |
| B | O | E1 |
| 4 | 1 | 4 |

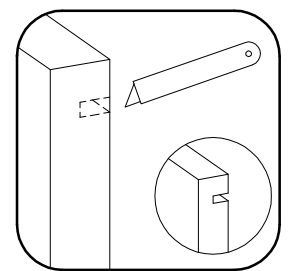
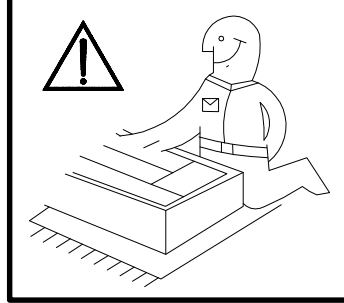
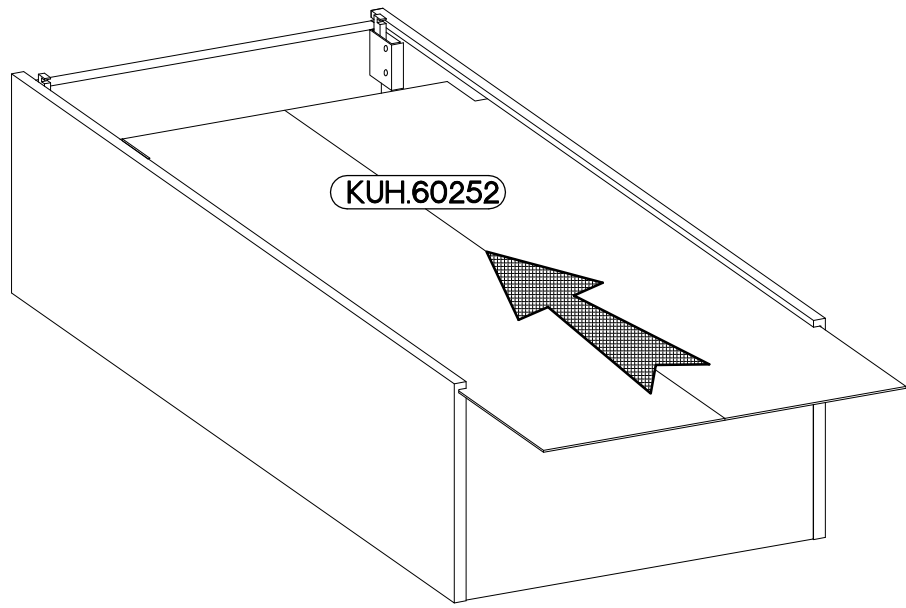


3

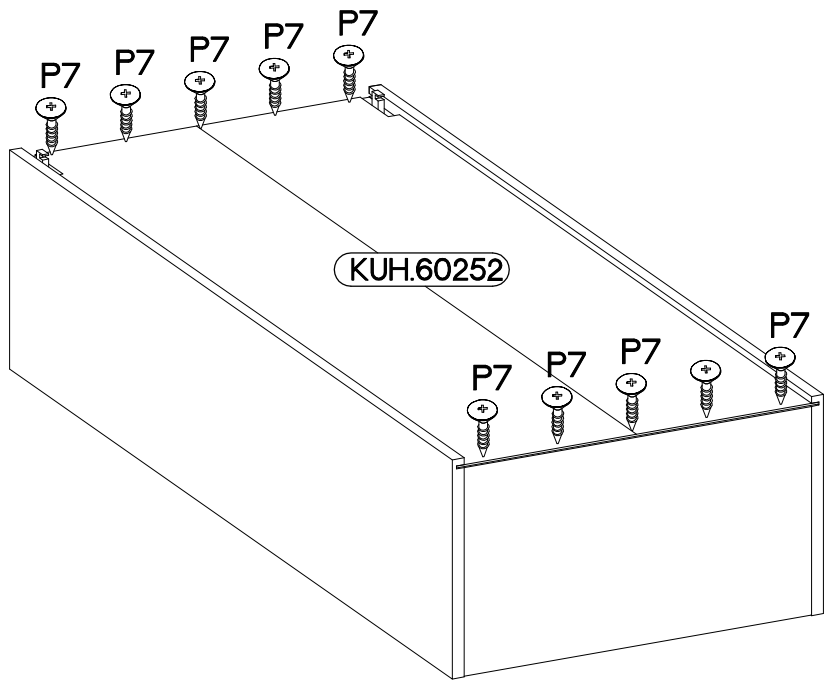
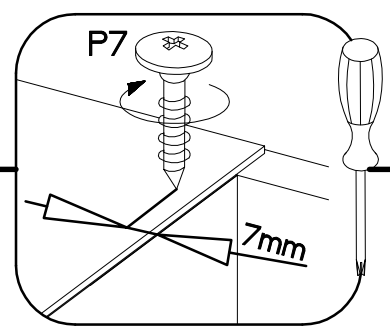
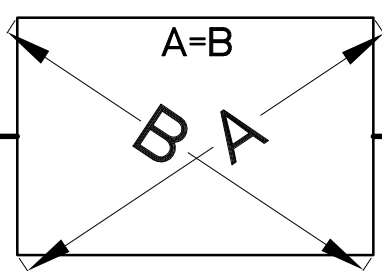
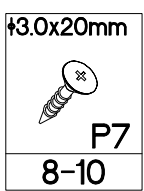


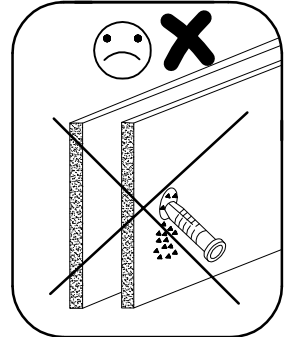
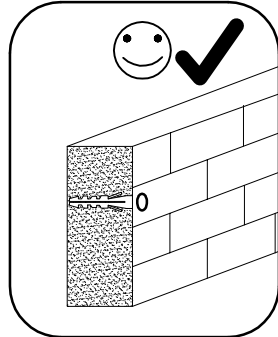
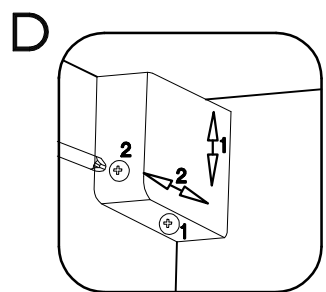
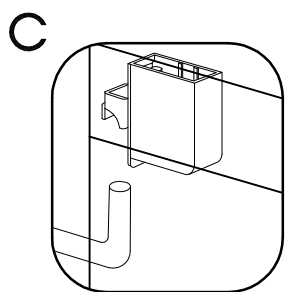
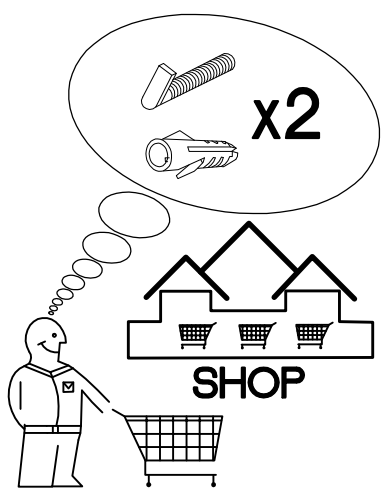
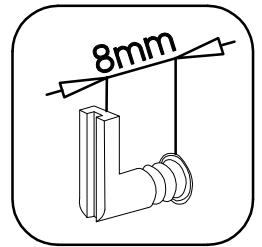
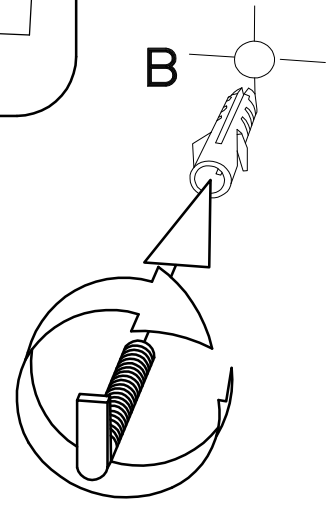
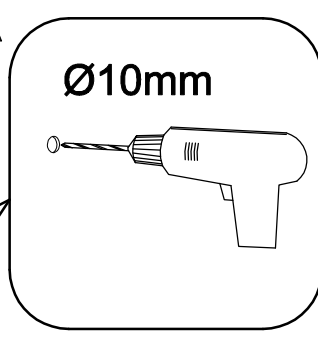
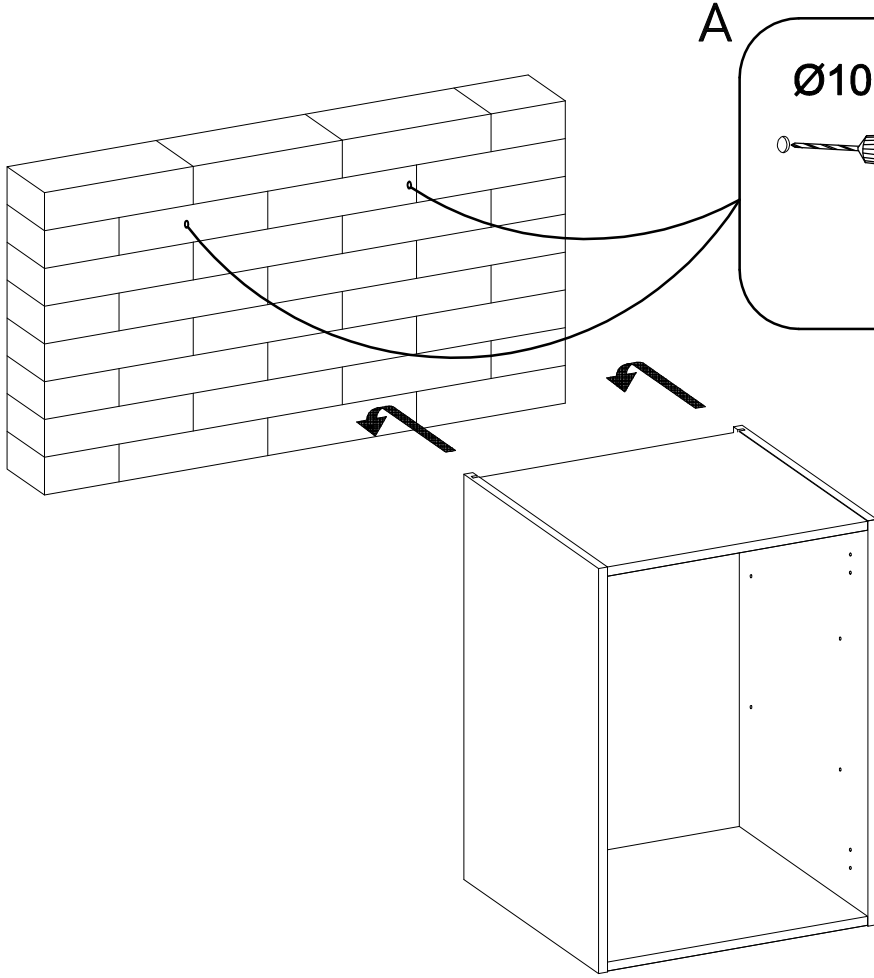
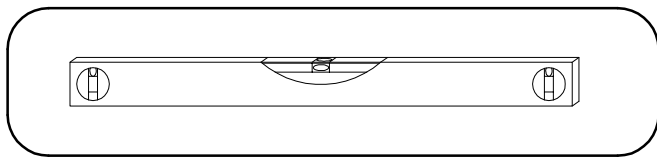
| | | |
|--|---|---|
| 6,4 x 50mm | | |
|  |  |  |
| B | O | E1 |
| 4 | 1 | 4 |

4

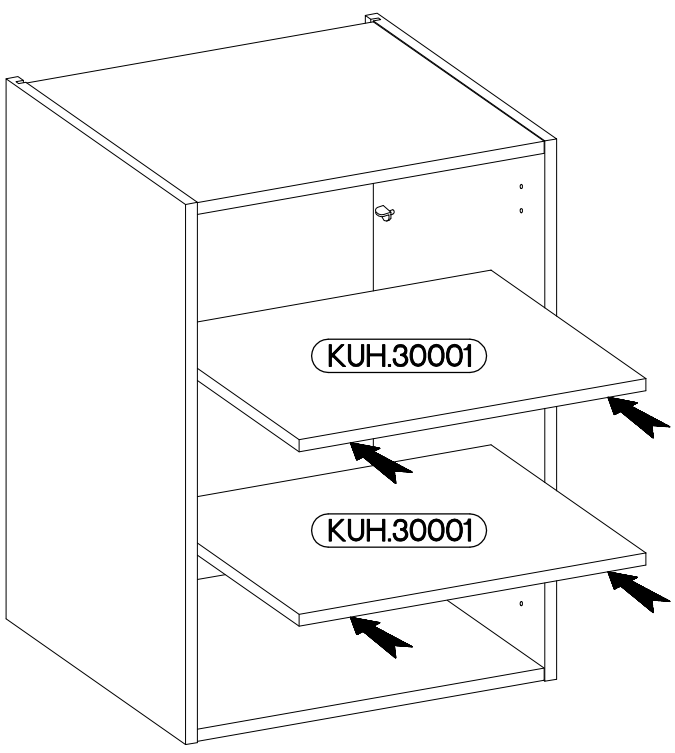
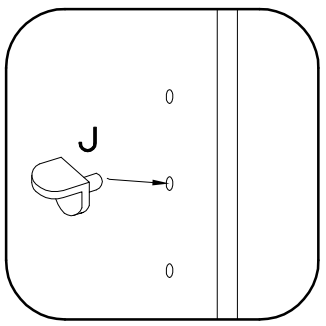
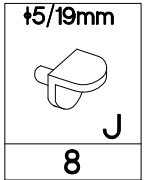


5





7



8

FRONT

